

VNC-IB-2110-Z

2MP Full HD WDR Network IR-Bullet Camera

VISILEX



Main Feature

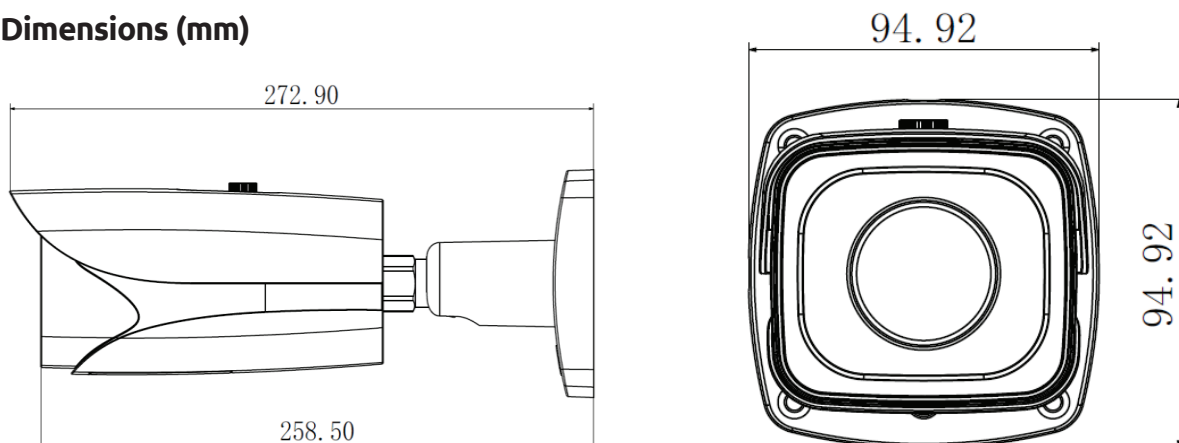
- › 1/2.7" 2Megapixel progressive scan CMOS
- › Support H.264&MJPEG dual codec
- › 25/30fps@1080(1920× 1080)
- › Smart Detection supported
- › WDR(120dB), Day/Night(ICR), 3DNR, AWB, AGC, BLC
- › Multiple network monitoring: Web viewer, CMS(DSS/SMART PSS) & VISIMOB
- › 2.7mm ~12mm motorized lens
- › 2/1 Alarm in/out, 1/1 audio in/out
- › Max. IR LEDs Length 50m
- › Micro SD memory, IP67, PoE

Technical Specification

Camera	
Image Sensor	1/2.7" 2Megapixel progressive scan CMOS
Effective Pixels	1920(H) x 1080(V)
Scanning System	Progressive
Electronic Shutter Speed	Auto/Manual, 1/3(4)~1/10000s
Min. Illumination	0.01Lux/F1.4(Color); 0Lux/F1.4(IR on)
S/N Ratio	More than 50dB
Video Output	1 port
Camera Features	
Max. IR LEDs Length	50m
Day/Night	Auto(ICR) / Color / B/W
Backlight Compensation	BLC / HLC / WDR (120dB)
White Balance	Auto/Sunny/Night/Outdoor/Customized
Gain Control	Auto/Manual
Noise Reduction	3D
Privacy Masking	Up to 4 areas
Lens	
Focal Length	2.7mm~12mm
Max Aperture	F1.4
Focus Control	Motorized
Angle of View	H: 99°~34°
Lens Type	Motorized/ Auto Iris(DC)
Mount Type	Board-in Type
Video	
Compression	H.264 /H.264H/ H.264B/ MJPEG
Resolution	1080P(1920x1080)/ 1.3M (1280x960)/720P(1280x720) /D1(704x576 /704x480) /CIF(352x288 /352x240)

Frame Rate	Main Stream	1080P/720P(1 ~ 25/30fps)
	Sub Stream	D1/CIF(1 ~ 25/30fps)
	Third Stream	720P(1 ~ 13/4fps)
Bit Rate		H.264: 32K bps~ 10Mb ps
Audio		
Compression		G.711a/ G.711u/ AAC
Interface		1/1 channel In/Out
Smart Function		
Smart detection		Tripwire
		Intrusion
		Abandoned/Missing
		Scene Change
		Audio detect
		Face detect
Network		
Ethernet		RJ-45 (10/100Base -T)
Wi-Fi		N/A
Protocol		IPv4/IPv6, HTTP, HTTPS, SSL, TCP/IP, UDP, UPnP, ICMP, IGMP, SNMP, RTSP, RTP, SMTP, NTP, DHCP, DNS, PPPOE, DDNS, FTP, IP Filter, QoS, Bonjour, 802.1x
ONVIF		ONVIF ,PSIA,CGI
Max. User Access		20users
Smart Phone		iPhone, iPad, Android, Windows Phone
Auxiliary Interface		
Memory Slot		Micro SD, Max 128 GB
RS485		N/A
Alarm		2/1 channel In/Out
		N/A
General		
Power Supply		DC12V, PoE (802.3af)
Power Consumption		< 11.5W (with IR on, motorized lens working)
Working Environment		-30°C~+60°C, Less than 95% RH
Ingress Protection		IP67
Vandal Resistance		N/A
Dimensions		272.9 mm × 94.9mm× 94.9mm
Weight		1.1 kg

Dimensions (mm)



Accessory (optional)

VL121



VL151



VL152

