

VNP-3301-DC

3 Megapixel Full HD Vandal-proof Network Dome Camera



Main Feature

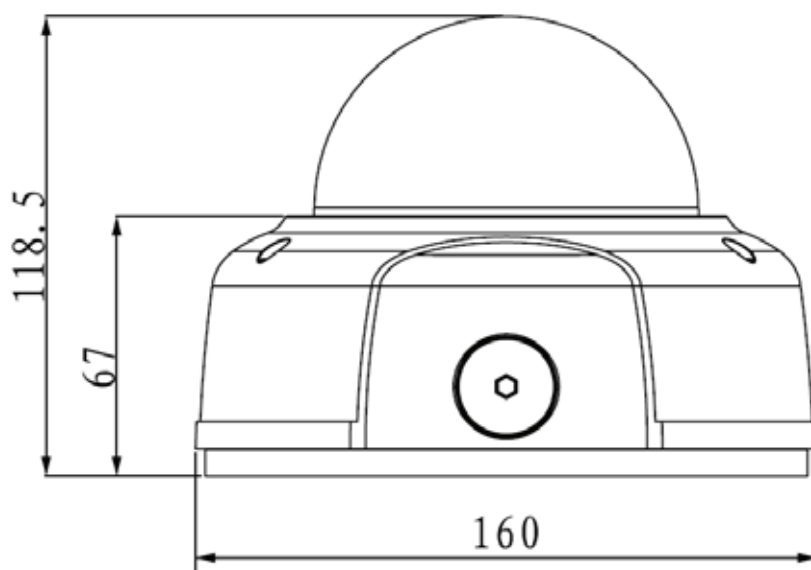
- › 1/2.8" 3Megapixel progressive scan Exmor CMOS
- › H.264 & MJPEG dual-stream encoding
- › Max 20fps@3.0M(2048×1536)&25/30fps@1080P(1920×1080)
- › DWDR, Day/Night(ICR), 2DNR, Auto iris, AWB, AGC, BLC
- › Multiple network monitoring: Web viewer, CMS(X Station) & VisiMob
- › 3.3~12mm varifocal lens
- › Built-in 2/1 alarm in/out
- › Micro SD memory, IP66, IK10, PoE,

Technical Specification

Camera	
Image Sensor	1/2.8" 3Megapixel Exmor CMOS
Effective Pixels	2096(H)x1561(V)
Scanning System	Progressive
Electronic Shutter Speed	Auto/Manual 1/3~1/10000
Min. Illumination	Color: 0.2Lux/F1.4, B/W: 0.01Lux/F1.4
S/N Ratio	>50dB
Video Output	1 channel, BNC(1.0Vp-p, 75Ω)
Camera Features	
Day/Night	Auto(ICR) / Color / B/W
Backlight Compensation	BLC / HLC / DWDR
White Balance	Auto
Gain Control	Auto / Manual
Noise Reduction	2D
Privacy Masking	Up to 4 areas
Lens	
Focal Length	3.3~12mm
Max Aperture	F1.4
Focus Control	Manual
Angle of View	H: 79.3°(Wide)~29.8°(Tele)
Lens Type	Manual / Auto Iris (DC)
Mount Type	CS
Video	
Compression	H.264 / MJPEG
Resolution	3.0M(2048×1536) / 1080P(1920×1080)/ 720P(1280×720) / D1(704×576) / CIF(352×288) /

Frame Rate	Main Stream	3M(1~20fps)/1080P/720P(1 ~ 25/30fps)
	Sub Stream	D1/CIF(1 ~ 25/30fps)
Bit Rate		H.264: 32K ~ 8192Kbps, MJPEG: 32K ~ 24576Kbps
Audio		
Compression		G.711a / G.711u (64kbps) / PCM(128kbps)
Interface		1/1 channel In/Out
Network		
Ethernet		RJ-45 (10/100Base-T)
Protocol		IPv4/IPv6, HTTP, HTTPS, SSL, TCP/IP, UDP, UPnP, ICMP, IGMP, SNMP, RTSP, RTP, SMTP, NTP, DHCP, DNS, PPPOE, DDNS, FTP, IP Filter, QoS, Bonjour
ONVIF		ONVIF Ver. 2.0
Max. User Access		10 users
Smart Phone		iPhone, iPad, Android, Windows Phone
Auxiliary Interface		
Memory Slot		Micro SD, Max 32GB
Alarm		2/1 channel In/Out
General		
Power Supply		DC12V/AC24V, PoE(802.3af)
Power Consumption		<10W
Working Environment		-10°C~+60°C, 10%~90%
Protection Level		IK10 & IP66
Dimensions		Φ160mm×118.5mm
Weight		1.25kg

Dimensions



VISILEX

Baererstr- 22A, Hamburg, 21073, Germany

☎ +49 176 72643084 ✉ sales@visilex.com

Design and specifications are subject to change without notice © 2014 Visilex Technologies