

VISILEX

VISILEX

VLD-7701-VF-IR

HIGH RESOLUTION COLOR DOME CAMERA

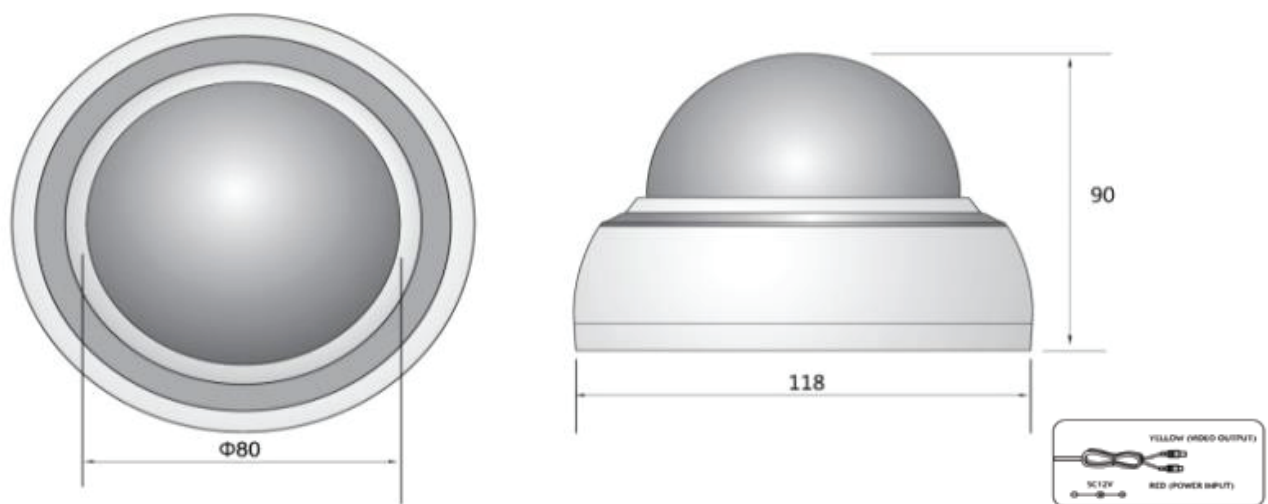


- › High Resolution
- › Auto White Balance
- › Min. Illumination : 0.05Lux (F:1.2)
- › True Day & night function
- › 1/3" SONY SUPER HAD II CCD (960H)
- › Auto gain Control
- › 3.6mm Fixed Lens
- › Power Source : DC12V (6.5V~28V)

Technical Specifications

	NTSC	PAL
Image Device	1/3" SONY SUPER HAD II CCD (960H)	
Picture Elements	1020(H) x 508(V)	1020(H) x 595(V)
Scanning System	2:1 Interlace	
Sync System	Internal Synchronization	
Scanning Frequency (Horizontal)		
Scanning Frequency (Vertical)		
Horizontal Resolution	700 TV Line	
Video Output	1Vp-p 75Ω	
S/N Ratio	More Than 50dB (AGC Off)	
Video Output	CVBS 1.0Vp-p (75ohm)	
Min. Illumination	0.005Lux / F1.2	
White Balance	ATW(1800°K ~ 10,500°K)	
Exposure	ELC	
Backlight Compensation	AUTO	
Day & Night	AUTO (DAY & NIGHT)	
LENS	3.6mm Fixed Lens (F2.0)	
Operation Temp.	-10°~50°	
Storage Temp.	-20°~60°	
Dimension (mm)	Φ(118+80) × 90 (mm)	
Weight (g)	250g	
Power Supply	DC12V (DC6.5V ~ 28V)	
Power Consumption	100 mA at DC12V	

Dimensions (mm)



VISILEX

Visilex Technologies

Baererstr- 22A, Hamburg, 21073, Germany

☎ +49 176 72643084 ✉ sales@visilex.com

Design and specifications are subject to change without notice
© 2014 Visilex Technologies