

VNP-5512-NP

ITS 1 Mega All-in-one Camera



Main Feature

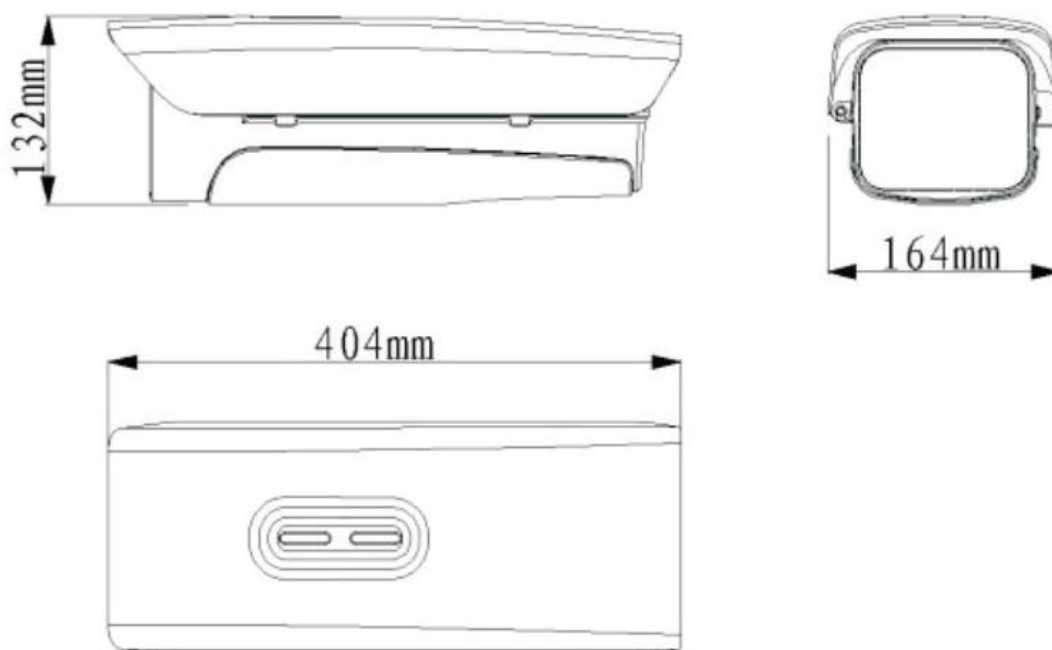
- › ARM + DSP dual processor architecture.
- › Unique dual-streaming insure high quality photo output and video output.
- › Advanced video compression technology, highcompression rate, accurate and stable bit stream control
- › Adopt 1/3" CCD image sensor, high color reducibility
- › Multi(dual) encoding streams and ACF
- › Embedded IR LED lamp.
- › Support SD card storage.
- › Support main frequency synchronization.
- › Support strobe light signal output.
- › Support number plate recognition.

Technical Specification

Model		VLI-7142-IRB-VF
General	Processor	TI DaVinci Series DSP
	Operating System	Embedded LINUX
	Resource	Simultaneous remote monitoring, local recording and remote control
	Compression Algorithm	Standard H.264 main profile 5.0
	Camera Shutter Speed	Manual/Auto (Adjustable, 1/25~1/10000)
	User Interface	WEB, X Station
Camera	Image Sensor	1/3"
	Resolution	1280(H)× 720(V)
	Day/Night	Support
	Gain Control	Auto
Video	WB	Auto
	Video Compression	H.264 standard
	Video Resolution	1280(H)× 720(V)
Interface	Alarm Input	2 channel
	Alarm output	4 channel
	Data Interface	1 RS232 serial ports, 2 RS485 serial ports, 1 100/1000M Ethernet port
	LED Light Sync Interface	1 channel
	Lens Interface	C/CS
	Flash Lamp Sync Interface	1 channel

Network	Network Functions	HTTP,TCP/IP ,UDP,SMTP,FTP,DHCP,DNS,DDNS,PPPOE ,NTP
Auxiliary	Loop trigger	support
	Radar Trigger	Support
	SD Card	Support4G 8G 16G
	Video Detection	Support
	License Plate Recognition	Support
	Remote Control Function	Support, through web client setting and control
	Image Records Tamper-resistance	Support watermark tech
Environmental	Power Supply	AC 220V
	Power Consumption	<30W
	Level of protection	IP66
	Operating Environment	Temperature -30°C~ +70°C, humidity 10%~90%
	Dimension	404mm × 164mm × 132mm (W×D×H)
	Weight	2.5kg

Dimensions



VISILEX

Baererstr- 22A, Hamburg, 21073, Germany

+49 176 72643084 sales@visilex.com

Design and specifications are subject to change without notice © 2014 Visilex Technologies