

VLD-7701-VF-IR

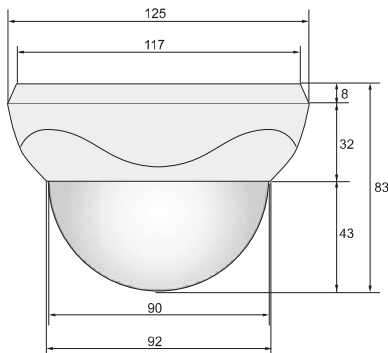
High Performance 700TVL Camera



Feature

- › 1/3" 960H SONY SUPER HAD II CCD
- › High Resolution 700TVL
- › Minimum Illumination : 0.003Lux (F:1.2)
- › Day & night function
- › White Balance : Auto
- › SENS-UP, WDR, 3D - DNR
- › f=3.6mm Lens
- › Built-in OSD key
- › Power Source : DC12V (6.5V~28V)

Dimension



Technical Specification

	NTSC	PAL
Image Device	1/3" 960H SONY SUPER HAD II CCD	
Total Pixels / Effective Pixels	1020(H)×508(V)	1020(H)×508(V)
Sync System	Internal Synchronization	
Scanning Frequency (Horizontal)	15.735KHz	
Scanning Frequency (Vertical)	59.94Hz	
Horizontal Resolution	700 TV Line	
S/N Ratio	More Than 50dB	
Video Output	CVBS 1.0Vp-p (75ohm)	
Minimum Illumination	Color Mode:0.0003(Sens-up Auto,F1.2)	
	B/W mode:0.00003(Sens-up Auto,F1.2)	
Day & Night	DAY / NIGHT / AUTO	
Exposure	ELC / ALC	
3D-DNR	Level 100 Steps	
Electronic Shutter Speed	1/60 ~ 1/120,000	
White Balance	ATW(1600°K ~ 11,000°K) / AUTO / ONE PUSH / MANUAL	
Auto Gain Control	OFF / LOW / MIDDLE / HIGH	
Backlight Compensation	OFF / WDR / BLC / HSBLC	
Defog	ON/OFF	
Sens-up	OFF / AUTO(X4) / MANUAL(X2...X512)	
Digital Zoom	~ X 16	
Motion Detection	8 Regions	
Privacy Masking	Rectangle : 8 Areas, Circle : 4 Areas, Polygon : 2 Areas	
Digital Effect	OFF / V-Flip / Mirror / Rotate	
IR LEDs	25 IR LEDs, Max.25M	
LENS	f=3.6mm Lens	
Power Supply	DC12V (DC6.5V ~ 28V)	
Power Consumption	IR OFF 100mA / IR ON 300mA	
Operation Temperature	10 ~ +50	
Storage Temperature	20 ~ +61	
Dimension(mm)	Φ(90+125) X 83 mm	
Cable	600mm BNC	

Comparison Image



enhancing details in the WDR image and removing noise.

