

## VLB-960-WDR

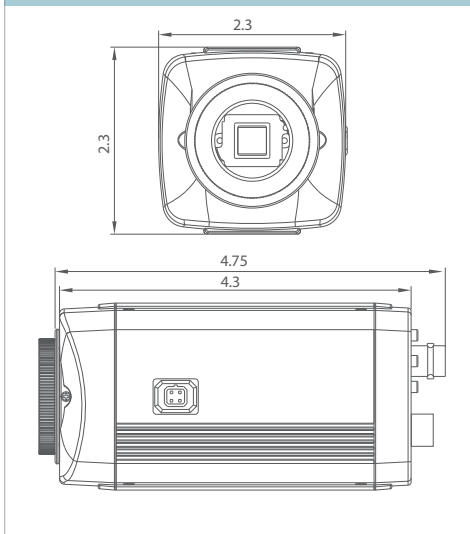
High Performance 700TVL Camera



### Feature

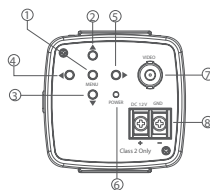
- Superlative resolution 750 horizontal TV lines
- Exview HAD II sensor
- 0.0001 lux light sensitivity
- True day/night images in low light without ghosting
- True Day/Night with ICR module
- Simple and easy OSD setup menu
- Electronic Wide Dynamic Range (ATR)
- Anti-Color Roll white balance
- Optional BLC & HLC
- Adjustable 2D-Noise Reduction
- 4 zones Privacy image masking r
- C/CS mount manual or DC iris lenses
- Dual voltage (12V DC / 24V AC)
- Anti-Crawl for stability even without line lock

### Dimension



### Technical Specification

	NTSC	PAL
Imaging Device	1/3" SonyExview HADII 960H High Sensitivity Interline CCD	
Video Format	NTSC	PAL
Picture Elements	1020 (H) x 508 (V)	1020 (H) x 596 (V)
Effective Picture Elements	976 (H) x 494 (V)	976 (H) x 582 (V)
Horizontal Resolution	More than 750 TVL from production cameras	
Sensitivity	Color ~ 0.001 lux, B/W ~ 0.0001Lux/F=1.0 (Zero ghosting)	
S/N Ratio	Over 50dB (AGC off)	
Video Output	BNC 1.0V p-p 75 Ω	
Gamma Correction	0.45	
Lens Type	C/CS Mount (lens sold separately; megapixel lenses recommended for maximum image clarity)	
Back Light Compensation	OFF / BLC / HSBLIC Selectable	
Auto Gain Control	Low light auto, Bright light auto, Manual selectable	
Electronic Shutter	1/60 ~ 1/100,000 sec.	
White Balance	ATW / Push / User1 / User2 / Anti-Crawl / Manual	
Sync. Mode	Internal (plus Anti-Chroma Crawl White Balance option )	
Day & Night	True D/N with motorized IR cut filter; Choose Color, B/W	
OSD Menu	Multiple functions	
OSD Languages	English, Spanish, Portuguese, German, Russian etc.	
2D-DNR	On/Off (level adjustable)	
Adaptive Tone Curve Repr./ Electronic WDR (ATR)	On/Off (3 levels each adjustable for luminance&contrast)	
Mirror (Horizontal)	Off/On	
Motion Detection	Off/On, 4 selectable zones (On screen indication on alarm)	
Privacy Mask	Off/On for 4 selectable zones	
Power Source	12V DC / 24V AC	
Power Consumption	12V DC: 180mA / 24V AC: 2.9W max.	
Operating Temperature	14 °F ~ 122 °F (-10 °C ~ 50 °C)	
Storage Temperature	-4 °F ~ 140 °F (-20 °C ~ 60 °C)	
Humidity	Less than 80% non-condensing	
Dimensions	2.28" x 2.28" x 4.765" (58 mm x 58 mm x 121 mm)	
Weight	0.88 lbs (400 g)	
Certifications	CE / FCC	
Warranty	5 years	



- ① Menu Button
- ② Up Button
- ③ Down Button
- ④ Left Button
- ⑤ Right Button
- ⑥ Power LED  
(The LED turns on when power is supplied)
- ⑦ Video out jack  
(Used to connect an external video monitor in jack)
- ⑧ Power Terminal  
(User to connect an DC 12V power source)  
(Options: AC 24 V/DC 12 V)

