

VISILEX

VLD-70 RP

DIGITAL COLOR IR DOME CAMERA

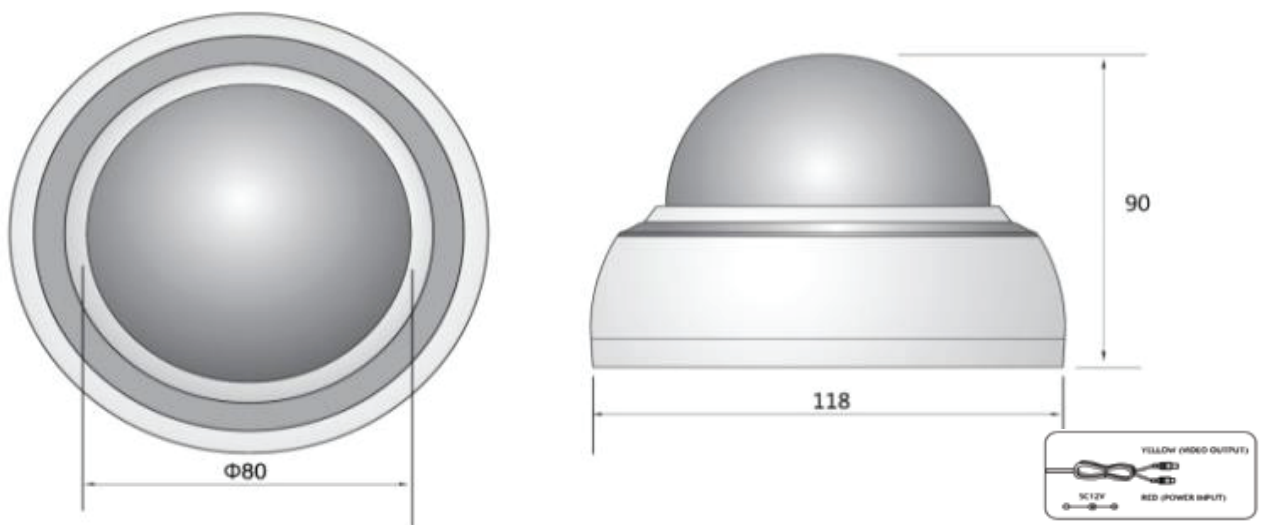


- › High Resolution
- › 700TV Line(NTSC/PAL)
- › Minimum Illumination : 0.005Lux (IR OFF)
- › Built-in 24 IR LEDs
- › 1/3" COLOR SONY SUPER HAD II CCD
- › IR Operating : 5~7 Lux
- › 3.6mm Fixed Lens
- › Power Source : DC12V (6.5V~28V)

Technical Specifications

	NTSC	PAL
Image Device	1/3" Color SONY Super HAD II CCD	
Picture Elements	768(H)×4942(V)	752(H)×582(V)
Scanning System	525 Lines, 2:1 Interlace	625 Lines, 2:1 Interlace
Sync System	Internal Synchronization	
Horizontal Resolution	700 TV Line	
Video Output	1Vp-p 75Ω	
S/N Ratio	More Than 50dB (AGC Off)	
Gamma Characteristic	0.45	
Gain Control	-1dB~32dB Auto	
White Balance	2,100°K~9,100°K (Auto) / Push Lock (option:ATW)	
Electronic Shutter	1/60~1/100,000sec (Auto)	1/50~1/100,000sec (Auto)
Visible Range	(850nm, 20°)×24ea	
IR LED Operating	5 ~ 7 Lux (Day & Night)	
LENS	3.6MM	
Lens Option	FIXED LENS	
Smear Effect	0.005%	
Minimum Illumination	0.005Lux (IR OFF)	
Power Consumption	DC12V(6.5V~28V), 350mA	
Operation Temperature	-10°~+50°, RH95% Max (14°F~122°F)	
Storage Temperature	-20°~+60°, RH95% Max	
Housing	P.C / ABS Resin(body)	
Dimension(mm)	(Φ80+Φ118) × 90	
Cable(option)	Standard 500mm RCA/DC or BNC/DC Jack	

Dimensions (mm)



VISILEX

Visilex Technologies

Baererstr- 22A, Hamburg, 21073, Germany

📞 +49 176 72643084 📧 sales@visilex.com

Design and specifications are subject to change without notice
© 2014 Visilex Technologies